

PME - Electrical pumps

NIKE electric hydraulic pumps are reliable, versatile and easy to use. They are suitable for many different applications.

All pumps have double-speed operation with automatic switching between high and low pressure at 2 MPa - 6 MPa depending on the pump type.

The low-pressure unit is a gear pump that gives a high flow up to the switching pressure. The high-pressure unit is a single or double-piston pump.

- built-in safety valve to prevent overloading.
- vented tank and intake filter.
- level glass for checking oil level.
- 2 m power cord with earthed plug (2000-series).
- 2 m power cord without plug (4000-series).
- pressure gauge port.
- carrying handle for ease of transport.
- mounting hole in base for permanent installation, plus rubber feet.

Description of valve alternatives:

ADV - Automatic release valve. Oil returns to tank when motor is switched off. The pressure in the tool then drops and the tool returns automatically. For crimping, cutting or press tools that are used in high-frequency applications.

MRV - Manual release valve. Suitable when you want to maintain the pressure in the tool for an extended period and have controlled release. Recommended for use of example with tools for cable crimping or cutting.

AP - Adapter plate. This pump has no valve, but simply a connecting plate with pressure and return connections.

MLS - With lever valve for single-acting tools.

MLD - With lever valve for double-acting tools.

SS - With solenoid valve for single-acting tools (24 V DC).

SD - With solenoid valve for double-acting tools (24 V DC).

PME70-2030ADV and **PME70-2030MRV** have spring-loaded starting by means of a starter plate.

On all other models on/off control is carried out by means of a button on the motor.





Technical data

Name	Working press. MPa	Eff. oil vol. cm ³	Cap. cm ³ /min		Motor V/kW	Length mm	Width mm	Height mm	Weight kg
			low	high					
PME70-2030ADV	70	3200	2700	300	230/0.55	285	285	520	23
PME70-2030MRV	70	3200	2700	300	230/0.55	335	285	520	23
PME70-2030AP	70	3200	2700	300	230/0.55	285	285	520	23
PME70-2030MLS	70	3200	2700	300	230/0.55	330	285	520	24
PME70-2030MLD	70	3200	2700	300	230/0.55	330	285	520	24
PME70-2030SS	70	3200	2700	300	230/0.55	380	300	520	27
PME70-2030SD	70	3200	2700	300	230/0.55	380	300	520	27
PME70A-4100AP	70	10000	7500	1600	400/2.2	335	370	575	45
PME70A-4100MLS	70	10000	7500	1600	400/2.2	375	370	575	46
PME70A-4100MLD	70	10000	7500	1600	400/2.2	375	370	575	46
PME70A-4100SS	70	10000	7500	1600	400/2.2	430	370	575	49
PME70A-4100SD	70	10000	7500	1600	400/2.2	430	370	575	49
PME70A-4200AP	70	20000	7500	1600	400/2.2	460	525	525	62
PME70A-4200MLS	70	20000	7500	1600	400/2.2	480	525	525	63
PME70A-4200MLD	70	20000	7500	1600	400/2.2	480	525	525	63
PME70A-4200SS	70	20000	7500	1600	400/2.2	460	525	525	66
PME70A-4200SD	70	20000	7500	1600	400/2.2	460	525	525	66

Accessories

Remote Control TRC230-24

Remote control assembly (24 V DC) with three metre cable between motor and remote control. Please observe that this accessory is available for PME pumps model SS and SD only.



www.nikehydraulics.com

NIKE HYDRAULICS AB

Box 1107
631 80 Eskilstuna
SWEDEN
Tel +46 16 - 16 82 00
Fax +46 16 - 13 93 16
info@nikehydraulics.se

NIKE HYDRAULICS Inc.

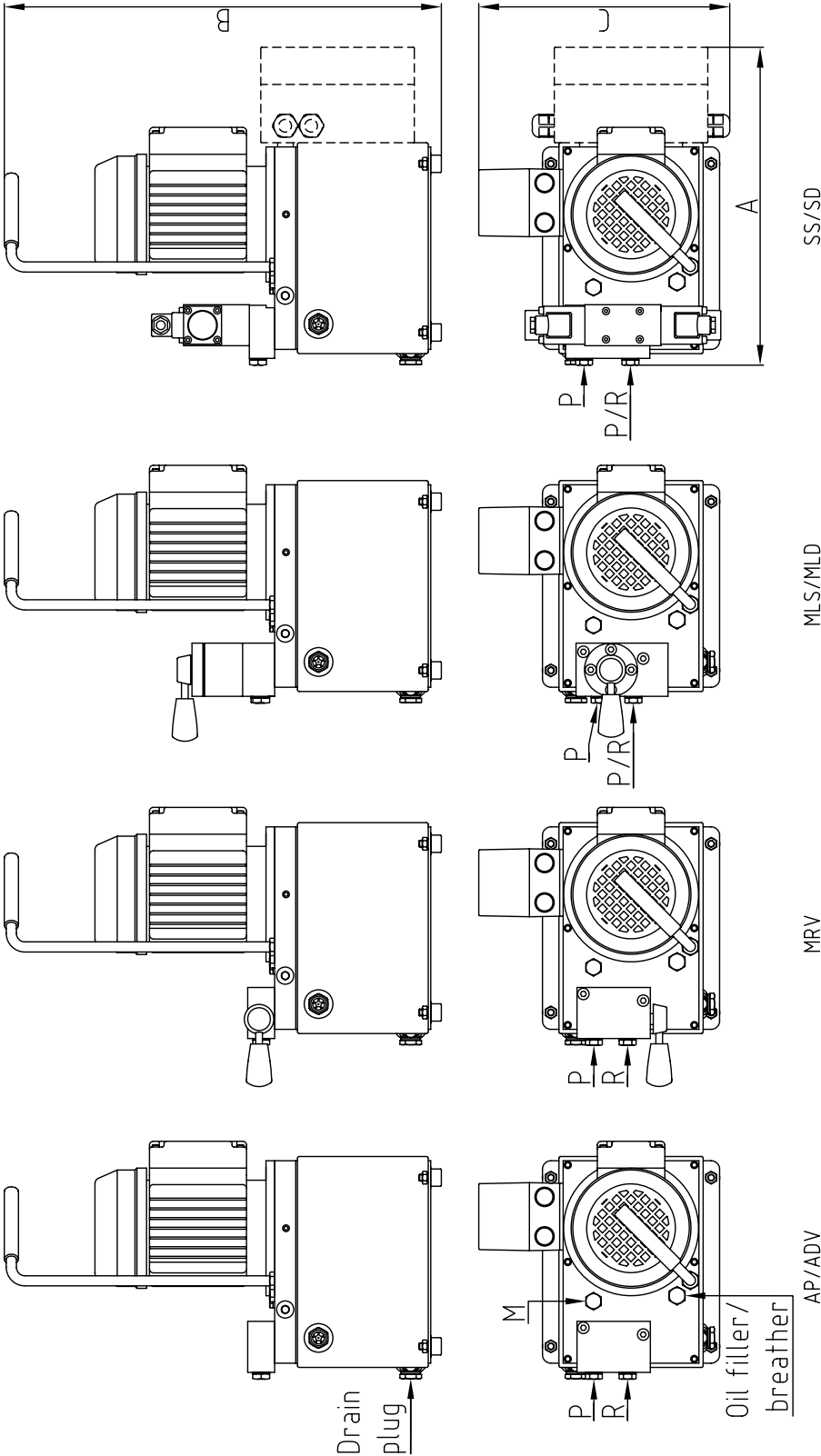
3980 W. Albany, Unit #1
MCHENRY, IL 60050
USA
Tel + 1 815 385 7777
Fax + 1 815 385 7776
info@nikehydraulics.com

NIKE POWER EQUIPMENT Ltd.

Unit 6, Stechford Trading Estate
Lyndon Road, Stechford
BIRMINGHAM B33 8BU, UK
Tel +44 121 789 77 07
Fax +44 121 789 68 66
info@nikehydraulics.co.uk

Technical data

Dimensional drawing PME70-2030xxx



www.nikehydraulics.com

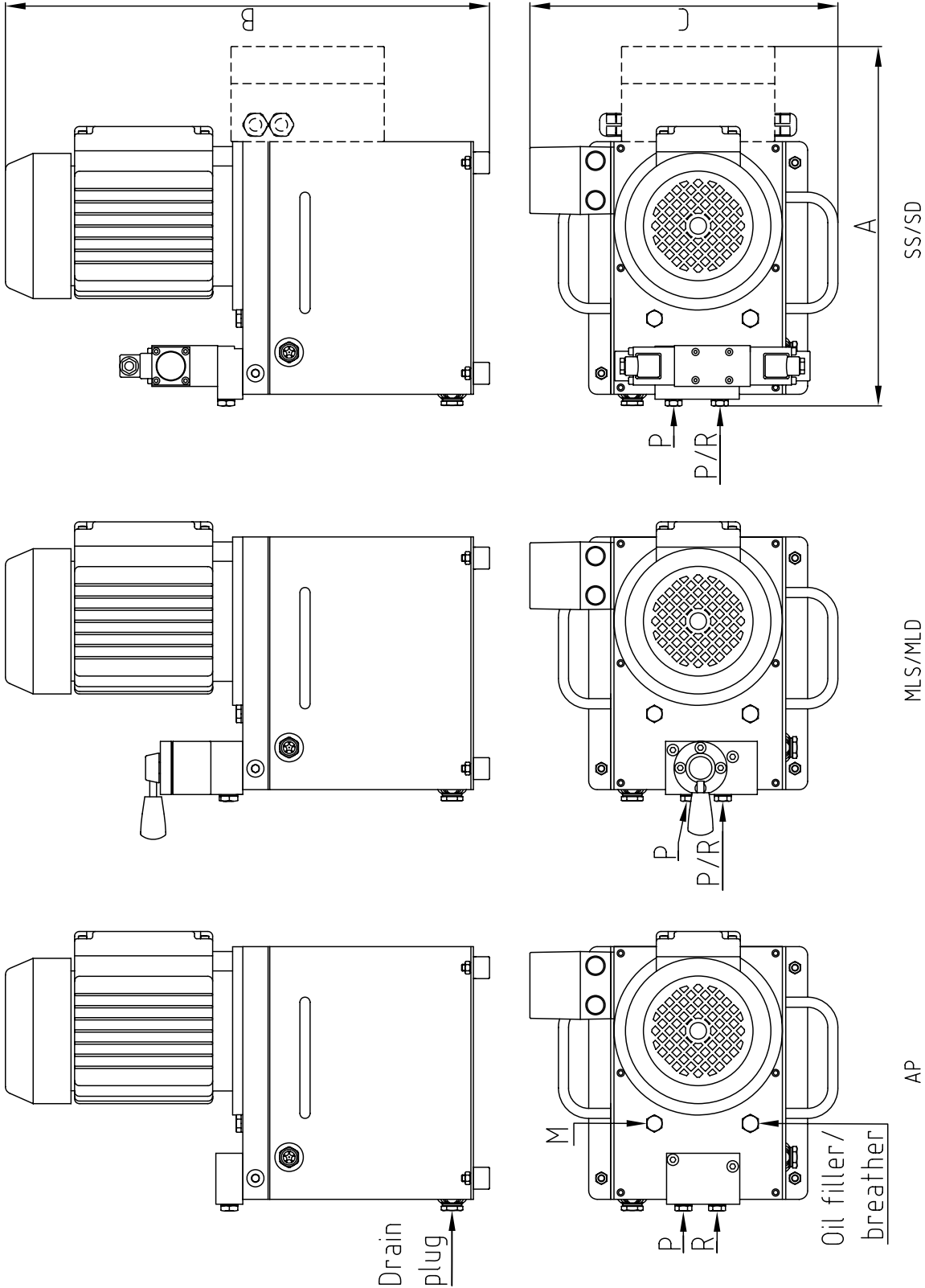
NIKE HYDRAULICS AB
 Box 1107
 631 80 Eskilstuna
 SWEDEN
 Tel +46 16 - 16 82 00
 Fax +46 16 - 13 93 16
 info@nikehydraulics.se

NIKE HYDRAULICS Inc.
 3980 W. Albany, Unit #1
 MCHENRY, IL 60050
 USA
 Tel + 1 815 385 7777
 Fax + 1 815 385 7776
 info@nikehydraulics.com

NIKE POWER EQUIPMENT Ltd.
 Unit 6, Stechford Trading Estate
 Lyndon Road, Stechford
 BIRMINGHAM B33 8BU, UK
 Tel +44 121 789 77 07
 Fax +44 121 789 68 66
 info@nikehydraulics.co.uk

Technical data

Dimensional drawing PME70-4100xxx



www.nikehydraulics.com

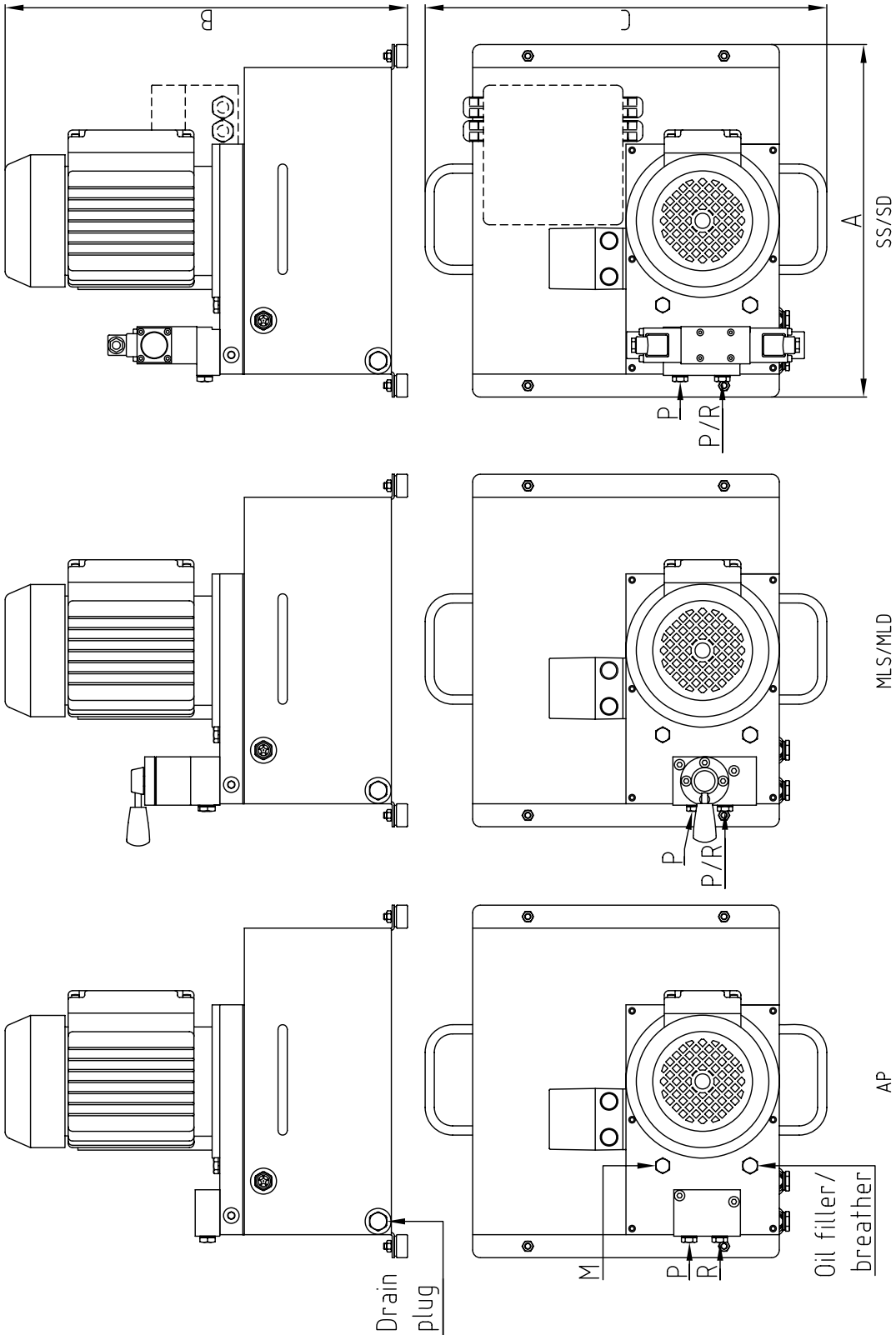
NIKE HYDRAULICS AB
 Box 1107
 631 80 Eskilstuna
 SWEDEN
 Tel +46 16 - 16 82 00
 Fax +46 16 - 13 93 16
 info@nikehydraulics.se

NIKE HYDRAULICS Inc.
 3980 W. Albany, Unit #1
 MCHENRY, IL 60050
 USA
 Tel + 1 815 385 7777
 Fax + 1 815 385 7776
 info@nikehydraulics.com

NIKE POWER EQUIPMENT Ltd.
 Unit 6, Stechford Trading Estate
 Lyndon Road, Stechford
 BIRMINGHAM B33 8BU, UK
 Tel +44 121 789 77 07
 Fax +44 121 789 68 66
 info@nikehydraulics.co.uk

Technical data

Dimensional drawing PME70-4200xxx



www.nikehydraulics.com

NIKE HYDRAULICS AB
 Box 1107
 631 80 Eskilstuna
 SWEDEN
 Tel +46 16 - 16 82 00
 Fax +46 16 - 13 93 16
 info@nikehydraulics.se

NIKE HYDRAULICS Inc.
 3980 W. Albany, Unit #1
 MCHENRY, IL 60050
 USA
 Tel + 1 815 385 7777
 Fax + 1 815 385 7776
 info@nikehydraulics.com

NIKE POWER EQUIPMENT Ltd.
 Unit 6, Stechford Trading Estate
 Lyndon Road, Stechford
 BIRMINGHAM B33 8BU, UK
 Tel +44 121 789 77 07
 Fax +44 121 789 68 66
 info@nikehydraulics.co.uk

Technical data

Name	Working press. MPa	Eff. oil vol. cm ³	A mm	B mm	C mm	M Gauge conn.	P Press. conn.	R Return conn.
PME70-2030ADV	70	3200	285	520	285	Yes	G 1/4"	G 1/4"
PME70-2030MRV	70	3200	335	520	285	Yes	G 1/4"	G 1/4"
PME70-2030AP	70	3200	285	520	285	Yes	G 1/4"	G 1/4"
PME70-2030MLS	70	3200	330	520	285	Yes	G 1/4"	G 1/4"
PME70-2030MLD	70	3200	330	520	285	Yes	2 x G1/4"	--
PME70-2030SS	70	3200	380	520	300	Yes	G 1/4"	G 1/4"
PME70-2030SD	70	3200	380	520	300	Yes	2 x G1/4"	--
PME70A-4100AP	70	10000	335	575	370	Yes	G 1/4"	G 1/4"
PME70A-4100MLS	70	10000	375	575	370	Yes	G 1/4"	G 1/4"
PME70A-4100MLD	70	10000	375	575	370	Yes	2 x G1/4"	--
PME70A-4100SS	70	10000	430	575	370	Yes	G 1/4"	G 1/4"
PME70A-4100SD	70	10000	430	575	370	Yes	2 x G1/4"	--
PME70A-4200AP	70	20000	460	525	525	Yes	G 1/4"	G 1/4"
PME70A-4200MLS	70	20000	480	525	525	Yes	G 1/4"	G 1/4"
PME70A-4200MLD	70	20000	480	525	525	Yes	2 x G1/4"	--
PME70A-4200SS	70	20000	460	525	525	Yes	G 1/4"	G 1/4"
PME70A-4200SD	70	20000	460	525	525	Yes	2 x G1/4"	--



www.nikehydraulics.com

NIKE HYDRAULICS AB
 Box 1107
 631 80 Eskilstuna
 SWEDEN
 Tel +46 16 - 16 82 00
 Fax +46 16 - 13 93 16
 info@nikehydraulics.se

NIKE HYDRAULICS Inc.
 3980 W. Albany, Unit #1
 MCHENRY, IL 60050
 USA
 Tel + 1 815 385 7777
 Fax + 1 815 385 7776
 info@nikehydraulics.com

NIKE POWER EQUIPMENT Ltd.
 Unit 6, Stechford Trading Estate
 Lyndon Road, Stechford
 BIRMINGHAM B33 8BU, UK
 Tel +44 121 789 77 07
 Fax +44 121 789 68 66
 info@nikehydraulics.co.uk